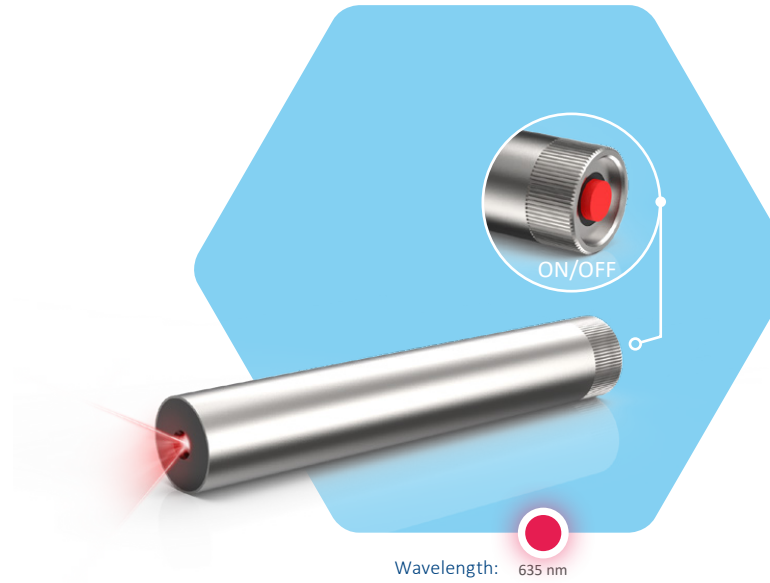






ZAT

autonomous and flexible

The battery-powered ZAT has been successfully used in the Belt Aligner Set for years and is a high-quality alternative to the previous bestseller ZA: the laser is built into a stable metal housing and the power source (AA battery or rechargeable battery) is located directly under the screw cap. A small button at the end of the housing is used for turning the laser ON and OFF.

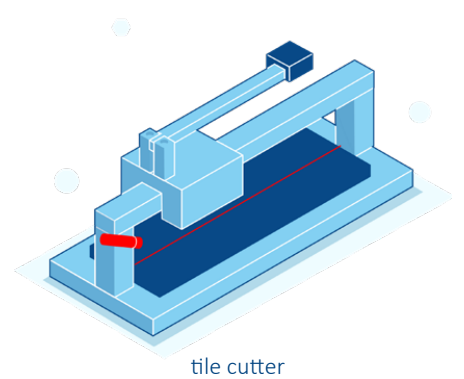
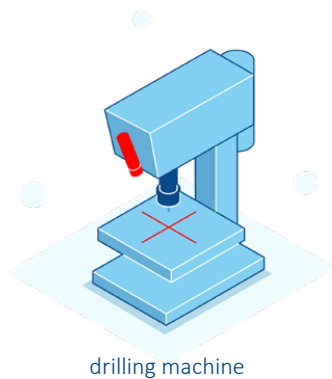
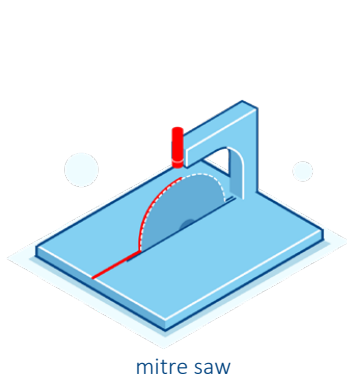
The ZAT is particularly suitable for mobile use in the wood, stone and metal industries. For example, the ZAT can be easily attached to a mitre saw, a rung drilling machine or a tile cutter and can really be used flexibly.



- 
 Easy installation
- 
 Output power up to 5 mW
- 
 IP 40
- 
 With AA or rechargeable battery

Highlights

- Different optics available (line, dot, cross, DOE)
- Convenient ON/OFF button
- With AA or rechargeable battery
- Robust metal housing



Order Code

Z??	AT	635	?
Power	Product name	Wavelength	Optics

Systemspezifikationen

Wavelength	nm
Output power	mW

635
1 - 5

Electrical specifications

Operating voltage
ZA Button

1,5VDC Battery AA oder 1,2VDC rechargeable
ON/OFF button at the end of the housing

Optical specifications

Line	
Dot	
DOE	
Focus range	mm
Laser class	

Line gaussian 90° fan angle
elliptic
cross
up to 2.000 mm fixed focus
1M, 2, 2M

Environmental conditions

Operating temperature	°C
Storage temperature	°C

-10°C up to +45°C
-10°C up to +50°C

Mechanische Spezifikationen

Length	mm
Diameter head Ø	mm
Weight	g
Material	
Protection class	

123
20
162
Nickel-plated brass
IP40